

■ **Features**

- High Luminous PLCC2 Top SMD LEDs
- 3.5x2.8x1.9mm Standard Directivity
- Long Lifetime Operation
- Superior Weather-resistance
- UV Resistant Epoxy
- Yellow Diffused Type

■ **Applications**

- Backlighting (switches, keys, displays, illuminated advertising etc.)
- Substitution of Micro Incandescent Lamps
- Reading Lamps / Emergency Lighting
- Marker lights (e.g. steps, exit ways, etc.)
- Other Lighting

■ **Absolute Maximum Rating**

(Ta=25°C)

Item	Symbol	Value	Unit
DC Forward Current	I <sub>F</sub>	30	mA
Pulse Forward Current*	I <sub>FP</sub>	100	mA
Reverse Voltage	V <sub>R</sub>	5	V
Power Dissipation	P <sub>D</sub>	108	mW
Operating Temperature	T <sub>opr</sub>	-30 ~ +85	°C
Storage Temperature	T <sub>stg</sub>	-40~ +100	°C
Lead Soldering Temperature	T <sub>sol</sub>	260°C/5sec	-

\*Pulse width Max.10ms Duty ratio max 1/10

■ **Electrical -Optical Characteristics**

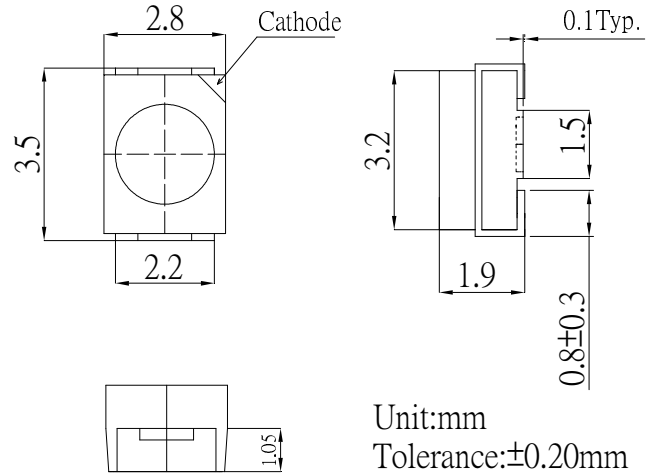
(Ta=25°C)

Item	Symbol	Condition	Min.	Typ.	Max.	Unit
DC Forward Voltage	V <sub>F</sub>	I <sub>F</sub> =20mA	2.9	3.1	3.6	V
DC Reverse Current	I <sub>R</sub>	V <sub>R</sub> =5V	-	-	10	μA
Color Rendering Index	<b>Ra</b>	<b>I<sub>F</sub>=20mA</b>	<b>95</b>	-	-	
Luminous Flux*	Φ <sub>v</sub>	I <sub>F</sub> =20mA	4.5	5.5	-	lm
Color Temperature	CCT	I <sub>F</sub> =20mA	-	3000	-	K
Chromaticity Coordinate*	x	I <sub>F</sub> =20mA	-	0.43	-	
	y	I <sub>F</sub> =20mA	-	0.38	-	
50% Power Angle	2θ <sub>1/2</sub>	I <sub>F</sub> =20mA	-	120	-	deg

\*1 Luminous Intensity Measurement allowance is ±15%

\*2 Chromaticity Coordinates Measurement allowance is ±10%

■ **Outline Dimension**



■ **Directivity**

